



WIND

GENERAL INFORMATION

1A1 SELF-ELEVATING OFFSHORE SUPPORT UNIT. DYNPOS-AUT.

Flag: Danish

Length (overall): 55.08 m

Length (between P.P): 52.4 m

Breadth: 18.13 m

Depth (moulded): 4.0 m

Draft: 3.0/4.3 m

Gross tonnage (GT): 1,501

Net tonnage (NT): 451

Light ship: 1,993 t

Deadweight/payload: 220 t

Leg length: 55 m

OPERATING CONDITIONS

Service: Weather restricted, site specific

Endurance (design): 30 days

Jacking operations (design):

- Wave height: 1.25 m (Hs)
- Wind speed: 10 m/s
- Current: 1 kn

Jacked survival (design):

- Wave height: 7.0 m/9 s wave (Hmax)
- Wind speed: 25 m/s
- Current: 3 kn



ZITON

SPECIFICATIONS | M/V WIND

PERFORMANCE

Transit speed: 6 knots

Fuel consumption:

- Approx. 4.5 m³/day at transit speed
- Approx. 1.5 m³/day during craning/jacking
- Approx. 0.8 m³/day in harbour

Propulsion system:

- Diesel-electric
- 4 generator sets with a capacity of 2500 kW total. (2 x 800 kW + 2 x 450 kW)
- 2 azimuth thrusters AFT are driven by electrical motors, each with a capacity of 550 kW
- 1 retractable azimuth FWD is driven by an electrical motor with a capacity of 450 kW
- 1 transverse tunnel thruster FWD is driven by an electrical motor with a capacity of 300 kW
- The propulsion system is arranged for dynamic positioning with DP1 notation

Pre-loading: 600 t/leg (800 t/leg after upgrade)

Holding: 600 t/leg (800 t/leg after upgrade)

Dual operator station according to DP1 single controller:

- One fan beam
- Air gap sensors
- GMDSS stations A3
- S- and X-band radars

CARGO & LIFTING CAPACITY

Deadweight: 220 t

Cargo area: Approx. 430 m²

Deck load: 20/30 t/m²

Main crane boom length: 110 meters

Wind speed: 10 m/s, 3 sec. gust

Main hoist lifting capacity:

30 tons @ 30 m radius @ 100 m height

Auxiliary hoist: Currently not in use. Possible to configure if necessary

ACCOMMODATION

ACCORDING TO DMA REGULATIONS.

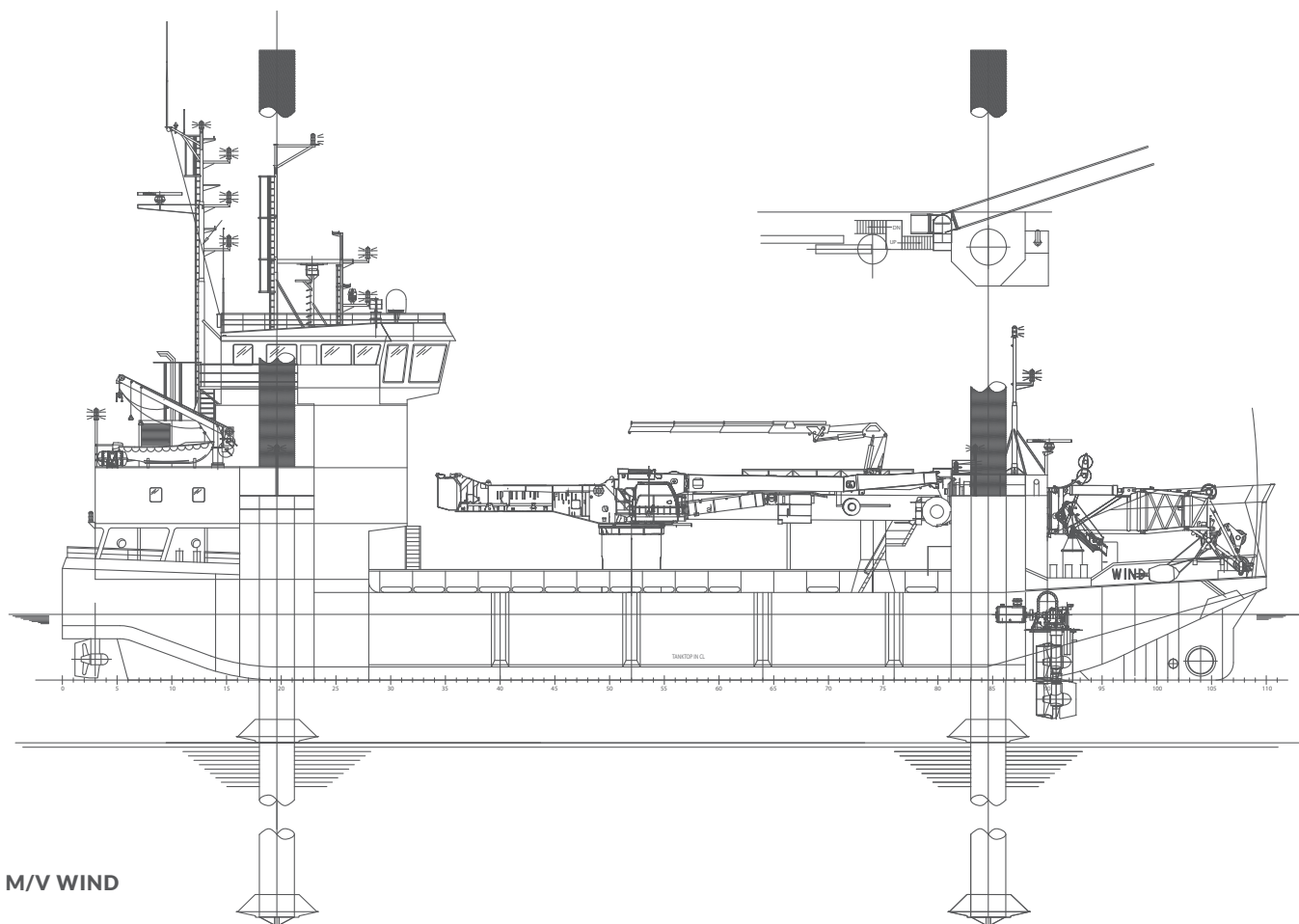
Client accommodation:

- 22 charterer's personnel in 21 cabins
- All cabins are with bath, toilet, TV and ethernet connection

Client facilities: Day room

Crew facilities: Day room and changing room

Shared facilities: Mess room, laundry, day room and gymnasium



M/V WIND



ZITON A/S
Byholm Søpark 21 E
DK-8700 Horsens Denmark

Phone +45 87 44 44 00
sales@ziton.eu
www.ziton.eu

